

**SN-1 Spike & Noise
Suppressor**

Made in the USA - Lifetime Warranty

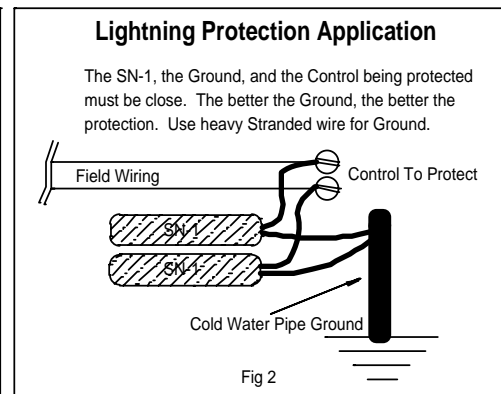
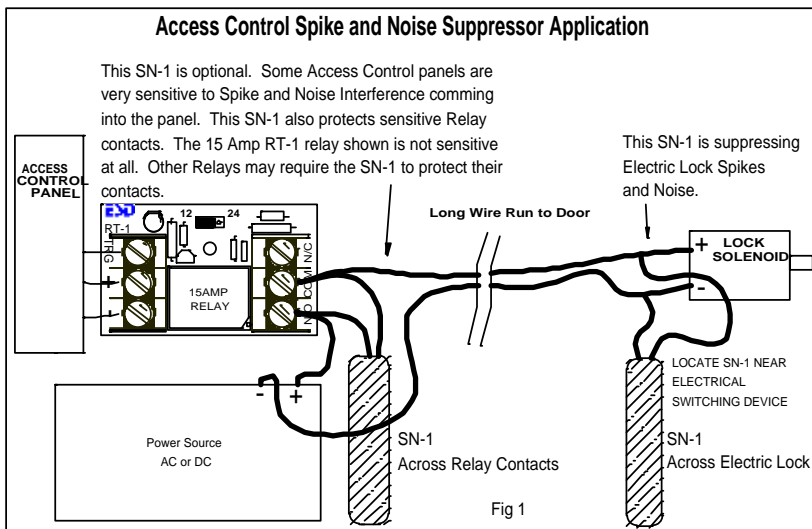
Features:

- **Low Voltage Spike Protection Suppresses a 1500 Watt Surge.**
- **Noise Protection Filters High Frequency Interference That Can Disrupt Control Panels**
- **BI Directional Suppressor Operates on 12 or 24 Volts AC or DC Allowing Simple Hook-up With No Polarity to Worry About**
- **Works Great for Lightning Protection**
- **Small Size**
- **RoHS Lead Free**



DESCRIPTION

The SN-1 is a bi-directional Spike and Noise Suppressor. Spike and Noise protection are both important for protecting sensitive electronics. Voltage spikes can damage electronics, while the RFI Noise can cause electronic controls to malfunction. The bi-directional feature allows the SN-1 to be used for both AC or DC without the worry of the correct polarity. Fig 2 shows how the SN-1 protects against lightning strikes by connecting the SN-1 between the control input you are protecting and Ground. Due to the high frequency noise filter inside, it is not recommended for lightning protection on data transmission lines or other high frequency applications.



SPECIFICATIONS

- Working Voltage 0-28V AC/DC
- Clamping Voltage 56Vpp
- Suppression Wattage 1500W
- Size (Typical)4"D x 1.6"L
- High frequency noise filter Yes



Electronic Security Devices
2200 N MacArthur Drive
Tracy, CA 95376

11/11/08 © Technical Literature jdb SN-1 specifications subject to change
\\products\sn-1\sn1TechSales.doc

Manufacturers of High Quality Security Devices

Phone: (209) 229-7140 Fax: (209) 229-7145
ESD@SecurityPower.com www.SecurityPower.com